



Foot Switch FS Data sheet

FS

The Foot Switch is a modular system, developed for use together with LINAK control boxes. The LINAK Foot Switch is designed for control of physiotherapeutic beds, hospital beds, dentist chairs, gynaecologist chairs, computer workstations and working desks etc. It can also be used as a "stand alone" item for industrial applications.

The Foot Switch is introduced as a modular system consisting of four parts: A left and a right pedal unit (each with two pedals) and two different electronic boxes: for one or two channels.

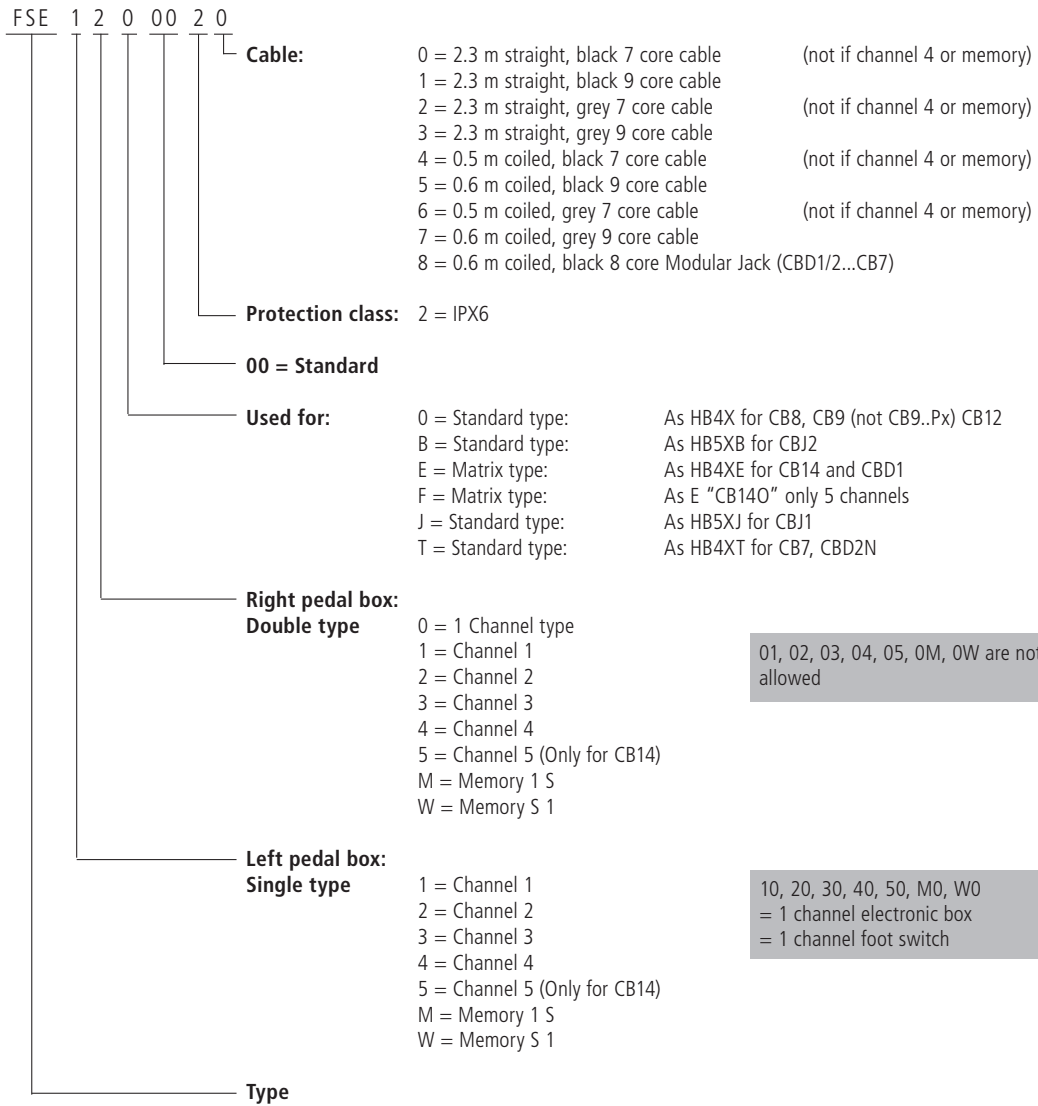


Features:

- To be used together with the following control boxes: CB7, CB8, CB9, CB12, CB14, CB140, CBJ, CBD1 and CBD2.
- Protection class: IPX6, on the electronic boxes (not for wash tunnels)
- Colour: grey and dark grey pedals
- Control of one or two channels
- Modular system
- Approx. weight for a pedal unit incl. integrated extra weight: 500 g; a one channel electronic box: 140 g and a two channel electronic box: 185 g
- Approvals: IEC60601-1, ANSI/AAMI ES60601-1 and CAN/CSA-22.2 No 60601-1

Electronic box FSE

Ordering example:

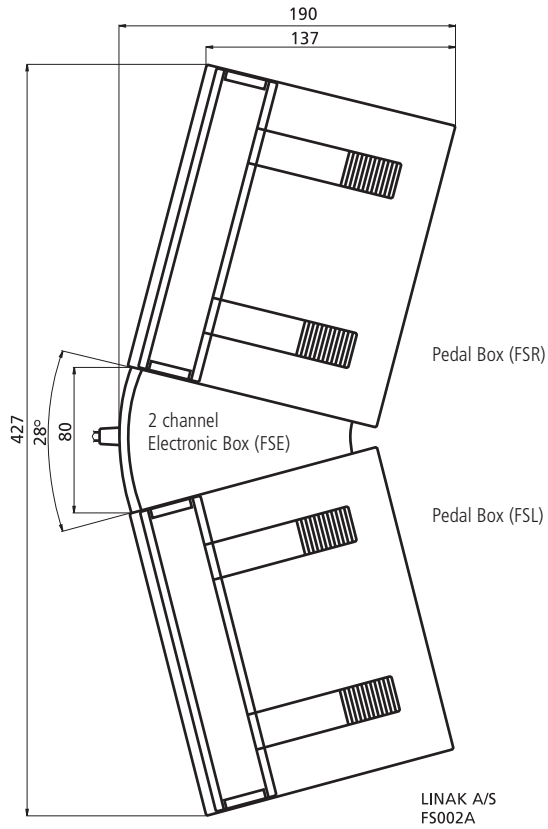


01, 02, 03, 04, 05, 0M, 0W are not allowed

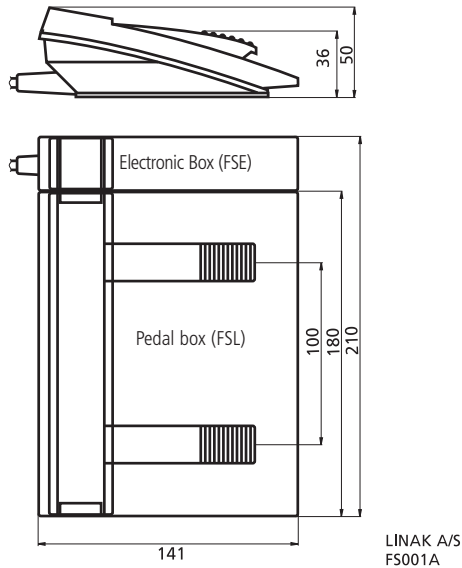
10, 20, 30, 40, 50, M0, W0
= 1 channel electronic box
= 1 channel foot switch

Dimension:

2 channel foot switch system

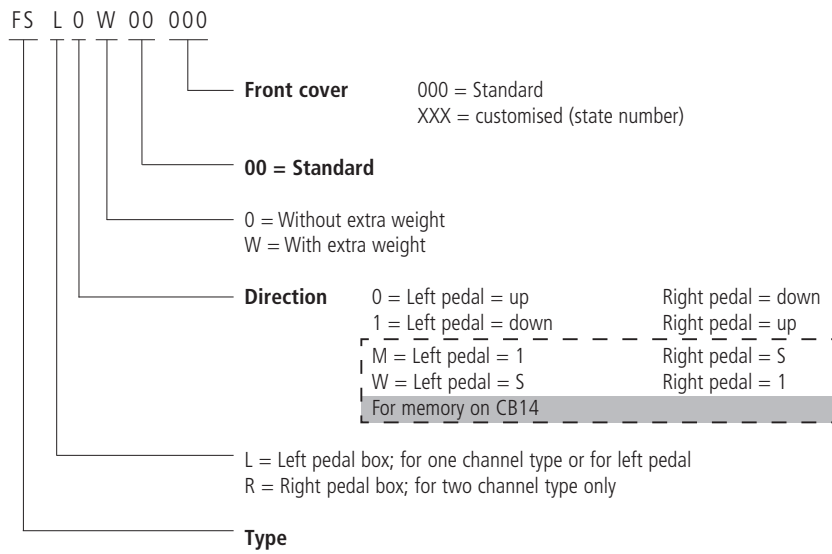


1 channel foot switch system

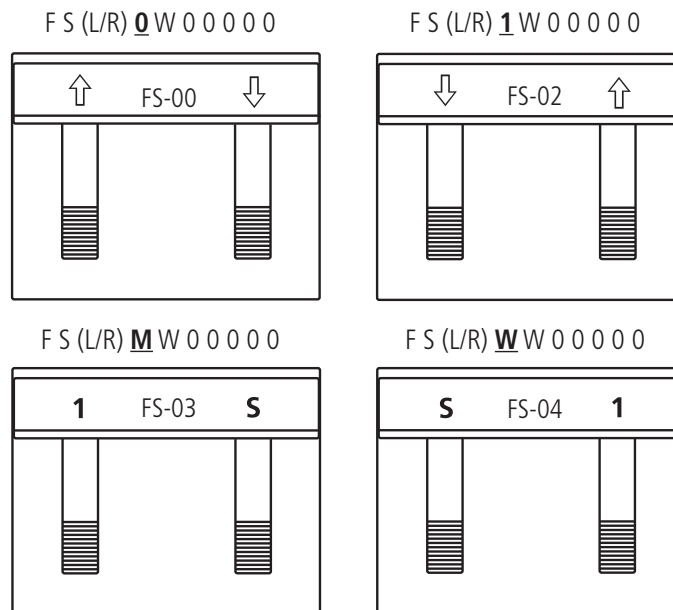


Pedal bos FS

Ordering example:



Directions:



When ordering pedal boxes for a 2 channel type, a left and a right (L/R) pedal box have to be ordered.

Terms of use

The user is responsible for determining the suitability of LINAK products for specific application. LINAK takes great care in providing accurate and up-to-date information on its products.

However, due to continuous development in order to improve its products, LINAK products are subject to frequent modifications and changes without prior notice. Therefore, LINAK cannot guarantee the correct and actual status of said information on its products.

While LINAK uses its best efforts to fulfill orders, LINAK cannot, for the same reasons as mentioned above, guarantee the availability of any particular product. Therefore, LINAK reserves the right to discontinue the sale of any product displayed on its website or listed in its catalogues or other written material drawn up by LINAK.

All sales are subject to the Standard Terms of Sale and Delivery for LINAK. For a copy hereof, please contact LINAK.